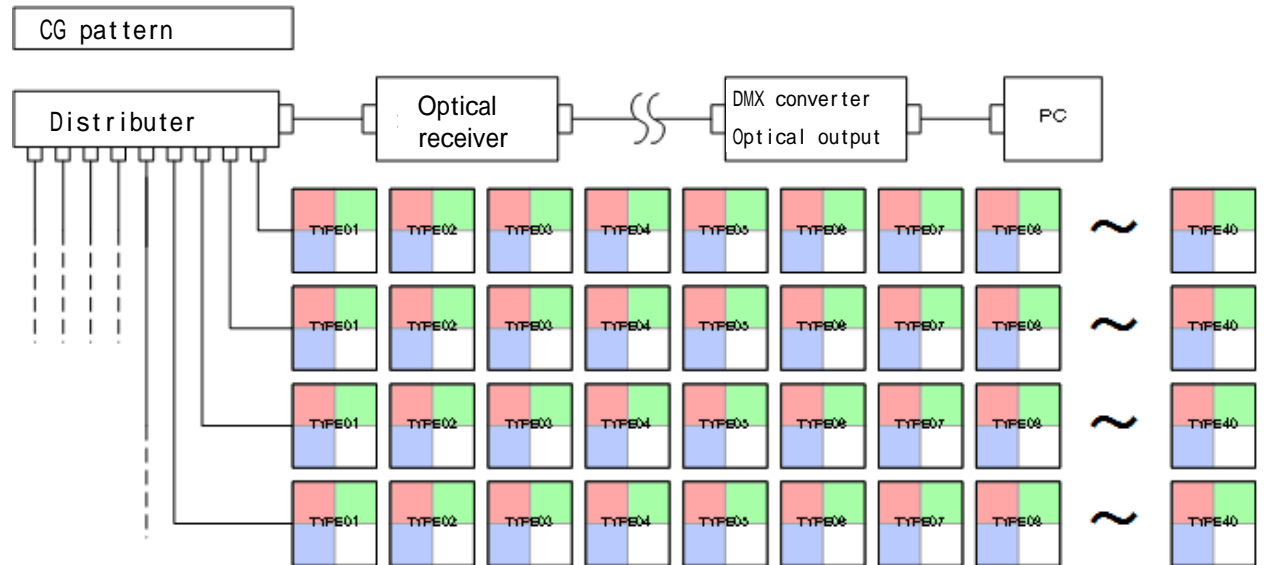
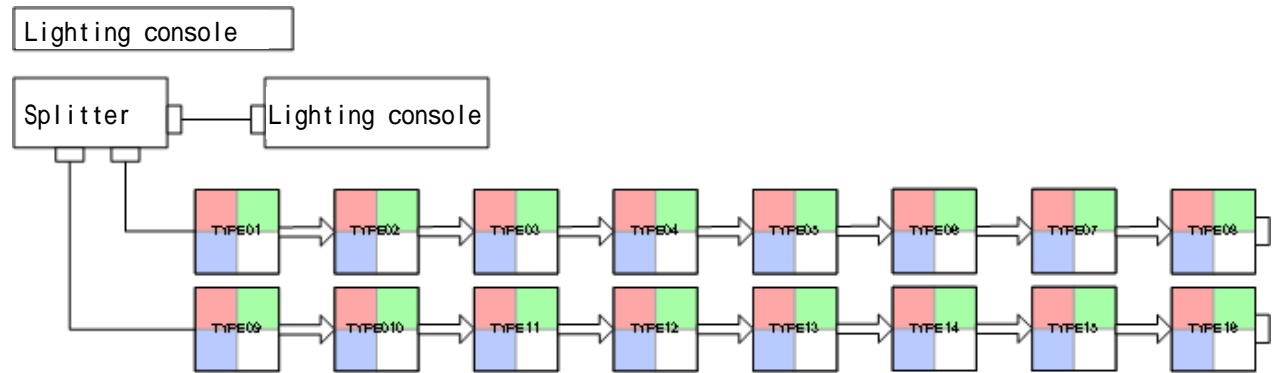


S4BOX

System Configuration



Basic Specification

Size (mm)/Basic unit	W455 × H455 × D106
Weight (kg)/Basic unit	5.5
Capacitance (W)	80 (AC100V/AC200V)
Control signal	DMX512
DMX channel/Basic unit	12

